

A B C D E F G

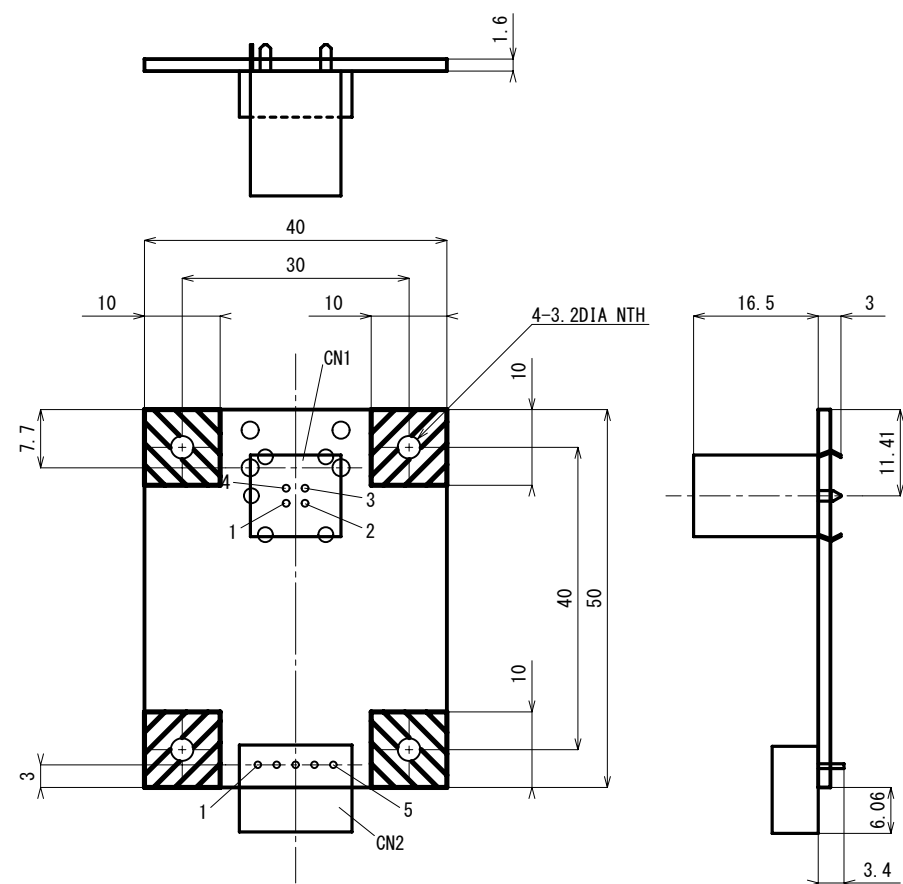
1


2

3

4

5




 部品・銅箔禁止エリア(全層)

NOTES:

DIMENSION: MILLIMETERS

APPROVED	CHECKED	CHECKED	CHECKED	DRAWN

TITLE		SHEET
PCB Out Line & Location (Straight)		1/3
DRAWING NO. R168_REX-USB6000E		SCALE
DRAWN BY		1/1
DATE 2012. 10. 01		REVISION
 RATOC Systems, Inc.		1.0

A B C D E F G

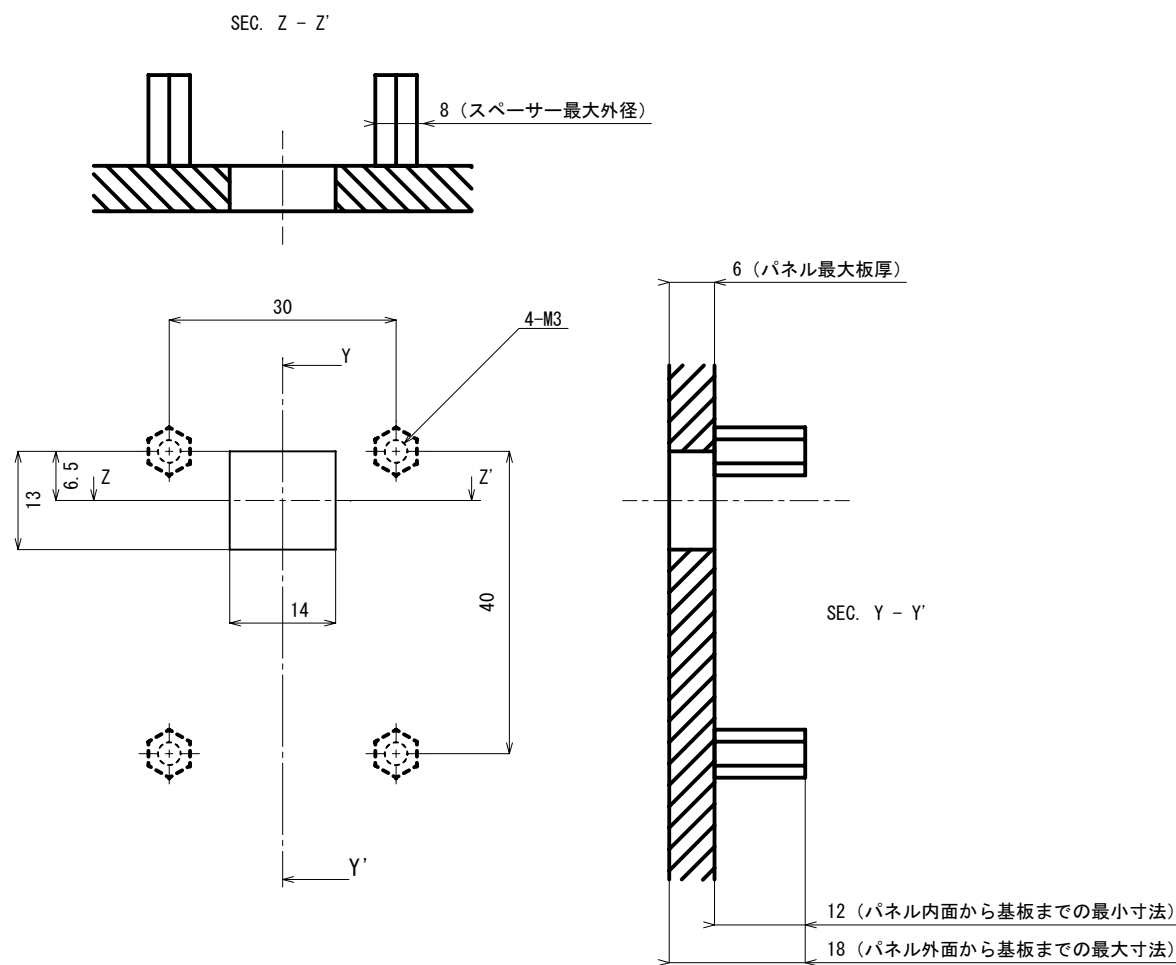
1

2

3

4

5



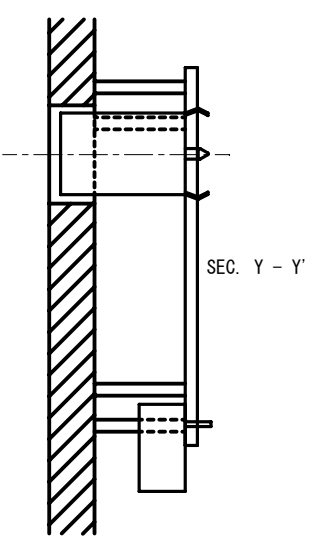
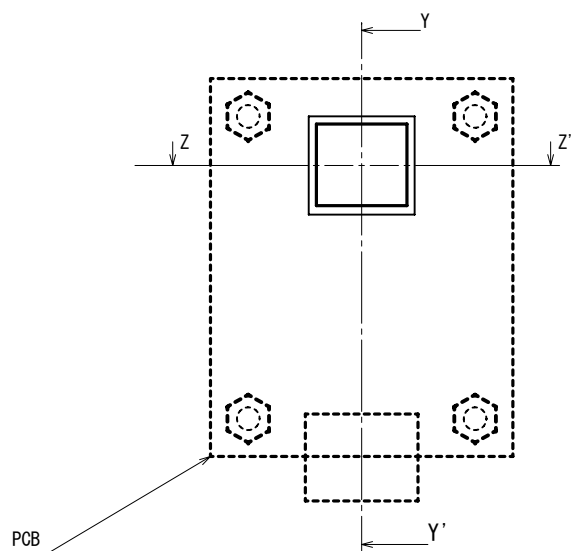
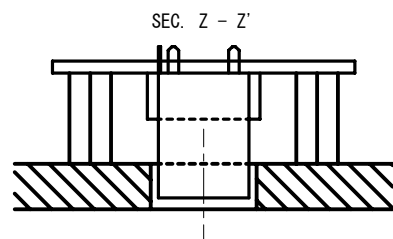
NOTES:

DIMENSION: MILLIMETERS

APPROVED	CHECKED	CHECKED	CHECKED	DRAWN	TITLE	SHEET
					PANEL HOLE Location (Straight)	2/3
					DRAWING NO.	SCALE
					R168_REX-USB6000E	1/1
					DRAWN BY	REVISION
					DATE	1.0
					2012. 10. 01	
					RATOC Systems, Inc.	


A B C D E F G

1
2
3
4
5



NOTES:
DIMENSION: MILLIMETERS

APPROVED	CHECKED	CHECKED	CHECKED	DRAWN

TITLE PCB & PANEL COMBINATION (Straight)		SHEET 3/3
DRAWING NO. R168_REX-USB6000E		SCALE 1/1
DRAWN BY	DATE 2012. 10. 01	REVISION 1.0
 RATOC Systems, Inc.		